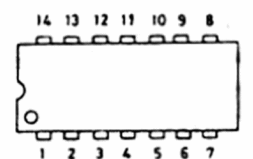
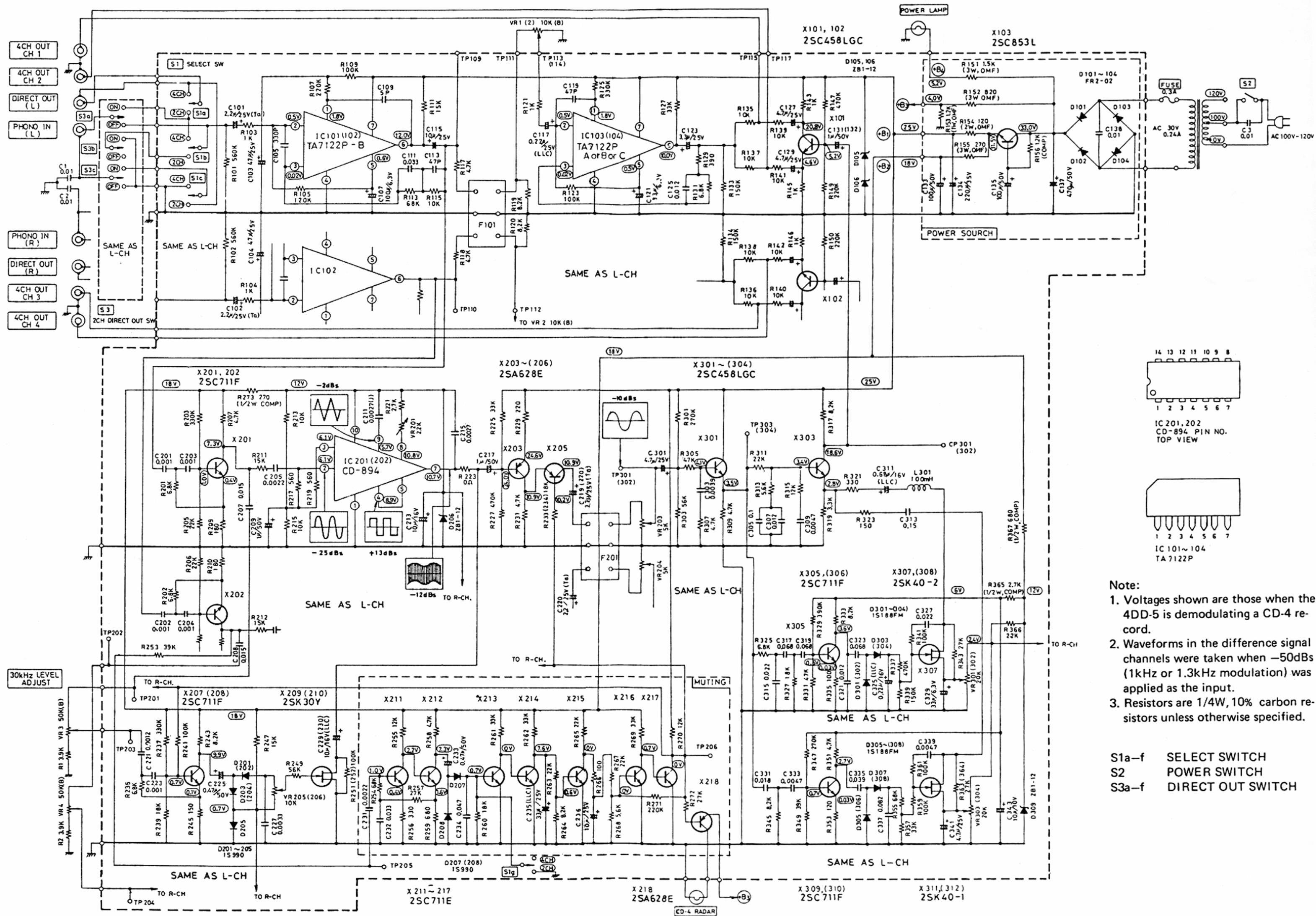
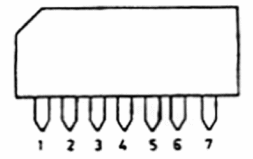


4DD-5 Circuit Diagram



IC 201, 202
CD-894 PIN NO.
TOP VIEW



IC 101~104
TA7122P

- Note:**
1. Voltages shown are those when the 4DD-5 is demodulating a CD-4 record.
 2. Waveforms in the difference signal channels were taken when -50dBs (1kHz or 1.3kHz modulation) was applied as the input.
 3. Resistors are 1/4W, 10% carbon resistors unless otherwise specified.

- S1a-f SELECT SWITCH
S2 POWER SWITCH
S3a-f DIRECT OUT SWITCH